

Capacitive switch



CPS  
Ring illumination  
green



CPS  
Area illumination  
red



CPS  
Ring illumination  
blue

See below:  
[Approvals and Compliances](#)

**Description**

- Capacitive touch sensor as momentary push button (NO or NC) or as latching switch (LA)
- Protection against unintended switching
- Multicolor illumination
- Potential free output contacts
- Laser lettering possible
- Vandal resistant
- Wires (8 wires for Multicolor, 4 wires otherwise)<sup>2</sup>; 26AWG, 0.128 mm<sup>2</sup>

**Unique Selling Proposition**

- Variable supply voltage
- Constant LED intensity
- Inputs protected against overvoltage
- Galvanic separated outputs

Important information

- The CPS is not suitable for use in sanitary or other applications exposed to water or other liquids.
- The housing is connected to gnd.

**Characteristics**

- Housing made from stainless steel
- Various illumination colors and color combinations possible
- Touch surface made from scratch-resistant ceramics with area illumination or made from stainless steel with ring illumination
- Ring or area illumination
- Wearless, no moving parts
- Attractive design with or without finger guide available

**References**

**Weblinks**

[pdf data sheet](#), [html datasheet](#), [General Product Information](#), [CAD-Drawings](#), [Product News](#), [Detailed request for product](#), [Microsite](#)

**Technical Data**

**Electrical Data**

Switching Function	momentary (NO <sup>1</sup> ) or latching
Switching Voltage	max. 42 VAC / 60 VDC
Switching current	max. 100 mA
Electrical Rating	1 W
Switch Resistance OFF	> 10 MΩ
Switch Resistance ON	< 16Ω
Supply Voltage	5 - 28 VDC
Current Consumption all LEDs off	2.5 mA (switch is open)
	8.5 mA (switch is closed)
Current Consumption Illumination red, green or blue	8.0 mA (switch is open)
	14.0 mA (switch is closed)
Current Consumption Illumination yellow, cyan or magenta	14.0 mA (switch is open)
	20.0 mA (switch is closed)
Current Consumption 3 LED on	19.0 mA (switch is open)
	25.0 mA (switch is closed)
Reverse Polarity Protection	yes
Short Circuit Protection	yes
Output Type	OptoMOS Relay
Lifetime	5 million actuations
Connection type	Wires (8 wires for Multicolor, 4 wires otherwise) <sup>2</sup> ; 26AWG, 0.128 mm <sup>2</sup>

**Mechanical Data**

Actuation Type	capacitive
Actuating Force	none
Shock Protection	IK09
Mounting Depth	with Finger Guide: 30.3 mm without Finger Guide: 30 mm
Tightening Torque Plastic Nut	2.5 Nm

**Climatical Data**

Operating Temperature	-40 to 60 °C
Storage Temperature	-40 to 85 °C
IP Protection Class Front Side	IP67 acc. to IEC 60529
Salt Spray Test (acc. to DIN 50021-SS)	24 h / 48 h / 96 h Residence Time

**Material**

Housing	Stainless Steel
Actuator	Area Illumination: Ceramics Ring Illumination: Stainless steel
Illuminated Ring (Ring Illumination)	PMMA
Seal Ring	NBR70

<sup>1</sup> on request also available as NC / <sup>2</sup> on request also available with cable or connector


**Approvals and Compliances**

Detailed information on product approvals, code requirements, usage instructions and detailed test conditions can be looked up in [Details about Approvals](#)

SCHURTER products are designed for use in industrial environments. They have approvals from independent testing bodies according to national and international standards. Products with specific characteristics and requirements such as required in the automotive sector according to IATF 16949, medical technology according to ISO 13485 or in the aerospace industry can be offered exclusively with customer-specific, individual agreements by SCHURTER.


### Product standards

Product standards that are referenced

Organization	Design	Standard	Description
	Designed according to	IEC 61000-6-1	Switches for appliances. Part 1. General requirements





### Application standards

Application standards where the product can be used

Organization	Design	Standard	Description
	Suitable for applications acc.	IEC/UL 62368-1	Audio/video, information and communication technology equipment - Part 1: Safety requirements

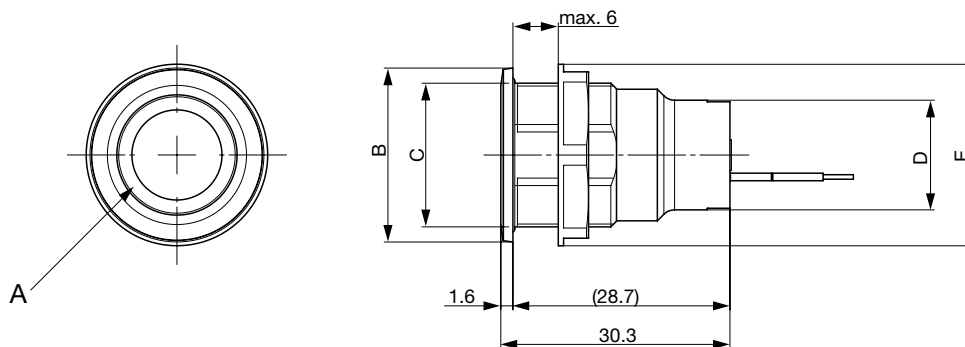
### Compliances

The product complies with following Guide Lines

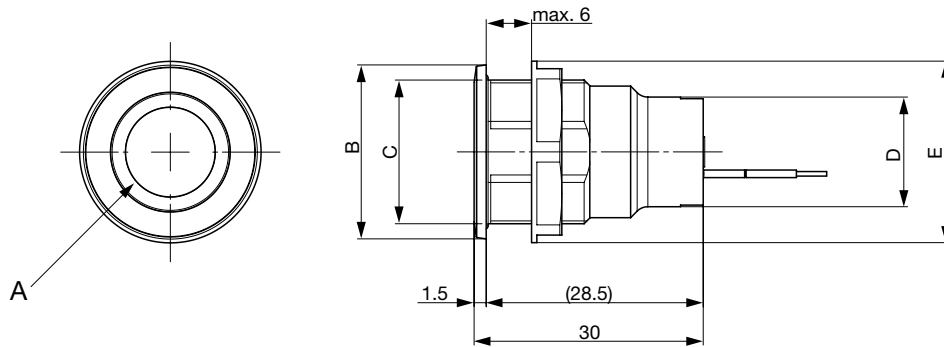
Identification	Details	Initiator	Description
	<a href="#">CE declaration of conformity</a>	SCHURTER AG	The CE marking declares that the product complies with the applicable requirements laid down in the harmonisation of Community legislation on its affixing in accordance with EU Regulation 765/2008.
	<a href="#">UKCA declaration of conformity</a>	SCHURTER AG	The UKCA marking declares that the product complies with the applicable requirements laid down in the British Amendment of Regulation (EC) 765/2008.
	RoHS	SCHURTER AG	Directive RoHS 2011/65/EU, Amendment (EU) 2015/863
	REACH	SCHURTER AG	On 1 June 2007, Regulation (EC) No 1907/2006 on the Registration, Evaluation, Authorization and Restriction of Chemicals 1 (abbreviated as "REACH") entered into force.

### Dimension [mm]

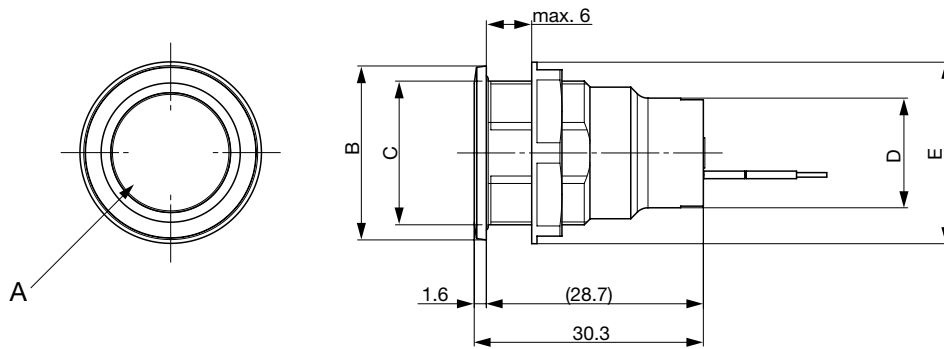
CPS with ring illuminating, with finger guide



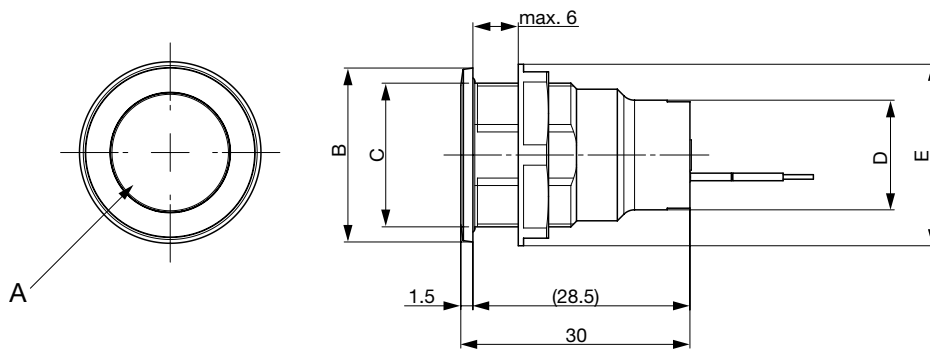
CPS with ring illuminating, no finger guide



CPS with area illuminating, with finger guide



CPS with area illuminating, no finger guide



A= illuminating area  
 B= CPS16: 19.5mm  
 C= CPS16: M16x1  
 D= CPS16: 14.7mm  
 E= CPS16: ø20mm

CPS19: 23.0mm  
 CPS19: M19x0.75  
 CPS19: 14.5mm  
 CPS19: ø24mm

CPS22: 25.5mm  
 CPS22: M22x1  
 CPS22: 14.5mm  
 CPS22: ø27.6mm

For multicolor configurations

Connection wire assignment		
Wire-number	Wire color	function
Wire 1	brown	Vin = 5 VDC...28 VDC
Wire 2	black	GND
Wire 3	white	OUT1
Wire 4	white	OUT2
Wire 5	red	LED red GND = ON Open* = OFF
Wire 6	green	LED green GND = ON Open* = OFF
Wire 7	blue	LED blue GND = ON Open* = OFF
Wire 8	black	GND

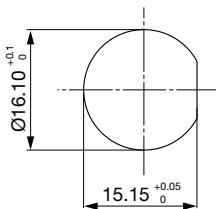
For all other configurations

Connection wire assignment		
Wire-number	Wire color	function
Wire 1	brown	Vin = 5 VDC...28 VDC
Wire 2	black	GND
Wire 3	white	OUT1
Wire 4	white	OUT2

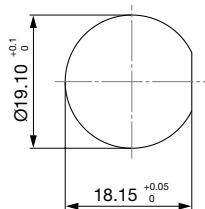
\* internal pull-up resistor to vcc = 3.3 V

**Dimension**

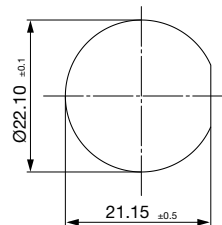
CPS16



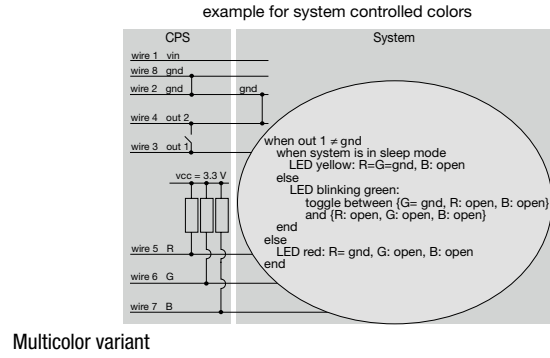
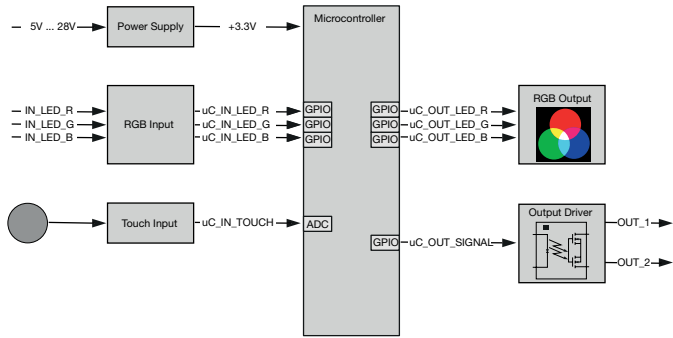
CPS19



CPS22



Diagrams



Illumination options for RGB

Lighting type	Wire red	Wire green	Wire blue	Resulting Color
Multicolor Singlecolor	x			Red
Multicolor Singlecolor		x		Green
Multicolor Singlecolor			x	Blue
Multicolor RGB Additive 2	x	x		Yellow
Multicolor RGB Additive 2	x		x	Magenta
Multicolor RGB Additive 2		x	x	Cyan
Multicolor RGB Additive 3	x	x	x	White

Lettering Colour of Laser Lettering

Material	Lettering Colour
Stainless Steel	black Filled letters
Ceramic	black Filled letters

Order number key

C	P	S	-	19	-	MO	NO	A10	F0	-	RI	RGB	VAR	F0	-	S0	NC	B	-	S0	NC	WF	1	074	-	C
				1		2	3	4	5		6	7	8	9		10					11	12	13			14

**Diameter**  **1**


19 mm	=	19
22 mm	=	22

**Switch type**  **2**


Latching	=	LA
Momentary	=	MO

**Switch function**  **3**


Normally open	=	NO
Normally close	=	NC

**Rated current**  **4**


100 mA	=	A10
--------	---	-----

**Terminal switch**  **5**

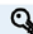
Flexible wires	=	F0
----------------	---	----

**Illumination**  **6**

No illumination	=	00
Area illumination	=	AI
Ring illumination	=	RI

**Illumination / Color**  **7**

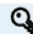
None	=	000
Red	=	0RD
Green	=	0GN
Blue	=	0BL
Blue / Red	=	0YL
Red / Green	=	0RG
Multicolor	=	RGB

**Supply voltage**  **8**

illumination		
None	=	000
5-28V	=	VAR

**Terminal illumination**  **9**

Flexible wires	=	F0
----------------	---	----

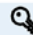
**Housing material and color**  **10**

Stainless steel 1.4305 (Silver)	=	S0 NC
---------------------------------	---	-------

**Actuator material**  **11**





Stainless steel 1.4305 (Silver)	=	S0 NC
Ceramic (White)	=	CO WT

(only with stainless steel)

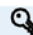
**Actuator style**  **12**

Finger guided	=	WF
No Finger guided	=	NF

**Marking type**  **13**

None	=	000
Laser lettering	=	1
Lettering symbol		
STOP	=	057
ON	=	065
OFF	=	066
ON/OFF	=	071
START	=	072
	=	074
	=	075
	=	076
	=	077

further lettering on request

**Accessories**  **14**

Hex nut plastic	=	C
-----------------	---	---

Hex nut stainless steel on request

All Variants

Diameter [mm]	Illumination	Illumination Color active / inactive	Finger Guide	Function	Actuator Material	Accessories	Order Number
16	Area illumination	red / green	with	latching	Ceramics	Hexagon nut	3-101-398
16	Area illumination	multicolor	without	latching	Ceramics	Hexagon nut	3-101-394
16	Area illumination	red / green	without	latching	Ceramics	Hexagon nut	3-101-395
16	Ring illumination	red / green	with	latching	Stainless Steel	Hexagon nut	3-101-413
16	Ring illumination	multicolor	without	latching	Stainless Steel	Hexagon nut	3-101-400
16	Ring illumination	red / green	without	latching	Stainless Steel	Hexagon nut	3-101-401
16	Area illumination	multicolor	with	momentary (NO)	Ceramics	Hexagon nut	3-101-397
16	Area illumination	multicolor	without	momentary (NO)	Ceramics	Hexagon nut	3-101-403
16	Ring illumination	multicolor	with	momentary (NO)	Stainless Steel	Hexagon nut	3-101-412
16	Ring illumination	multicolor	without	momentary (NO)	Stainless Steel	Hexagon nut	3-101-399
19	Area illumination	red / green	with	latching	Ceramics	Hexagon nut	3-101-418
19	Area illumination	multicolor	without	latching	Ceramics	Hexagon nut	3-101-415
19	Area illumination	red / green	without	latching	Ceramics	Hexagon nut	3-101-416
19	Ring illumination	red / green	with	latching	Stainless Steel	Hexagon nut	3-101-423
19	Ring illumination	multicolor	without	latching	Stainless Steel	Hexagon nut	3-101-420
19	Ring illumination	red / green	without	latching	Stainless Steel	Hexagon nut	3-101-421
19	Area illumination	multicolor	with	momentary (NO)	Ceramics	Hexagon nut	3-101-417
19	Area illumination	multicolor	without	momentary (NO)	Ceramics	Hexagon nut	3-101-414
19	Ring illumination	multicolor	with	momentary (NO)	Stainless Steel	Hexagon nut	3-101-422
19	Ring illumination	multicolor	without	momentary (NO)	Stainless Steel	Hexagon nut	3-101-419
22	Area illumination	red / green	with	latching	Ceramics	Hexagon nut	3-101-428
22	Area illumination	multicolor	without	latching	Ceramics	Hexagon nut	3-101-425
22	Area illumination	red / green	without	latching	Ceramics	Hexagon nut	3-101-426
22	Ring illumination	red / green	with	latching	Stainless Steel	Hexagon nut	3-101-405
22	Ring illumination	multicolor	without	latching	Stainless Steel	Hexagon nut	3-101-430
22	Ring illumination	red / green	without	latching	Stainless Steel	Hexagon nut	3-101-431
22	Area illumination	multicolor	with	momentary (NO)	Ceramics	Hexagon nut	3-101-427
22	Area illumination	multicolor	without	momentary (NO)	Ceramics	Hexagon nut	3-101-424
22	Ring illumination	multicolor	with	momentary (NO)	Stainless Steel	Hexagon nut	3-101-404
22	Ring illumination	multicolor	without	momentary (NO)	Stainless Steel	Hexagon nut	3-101-429

Common parameters for all standard variants:

- Housing material: stainless steel
- Switching current: 100 mA
- Illumination supply voltage: 5 V - 28 V (variable)
- IP protection: IP67- IK protection: IK09
- Terminal connection: wires (8 wires for RGB, 4 wires otherwise), standard wire length is 200 mm

Latching and momentary NO switch are open after power-up (protection against unintended switching)

NO: normally open

 Most Popular.

Availability for all products can be searched real-time: <https://www.schurter.com/en/info-center/support-tools/stock-check-distributors>

Minimum order quantity for standard variants with or without laser marking is 20 pieces.

Configurations which are not listed as standard in the table above can be requested as customized variants. The configuration code can be used for customizing this product. Please contact us in case more detail information is needed.

**Packaging unit** 10 Pcs